



**Parts Manual
Kleen Sweep 27M
Walk-Behind Manual Sweeper**

Technical Specifications

Model *Kleen Sweep 27M*

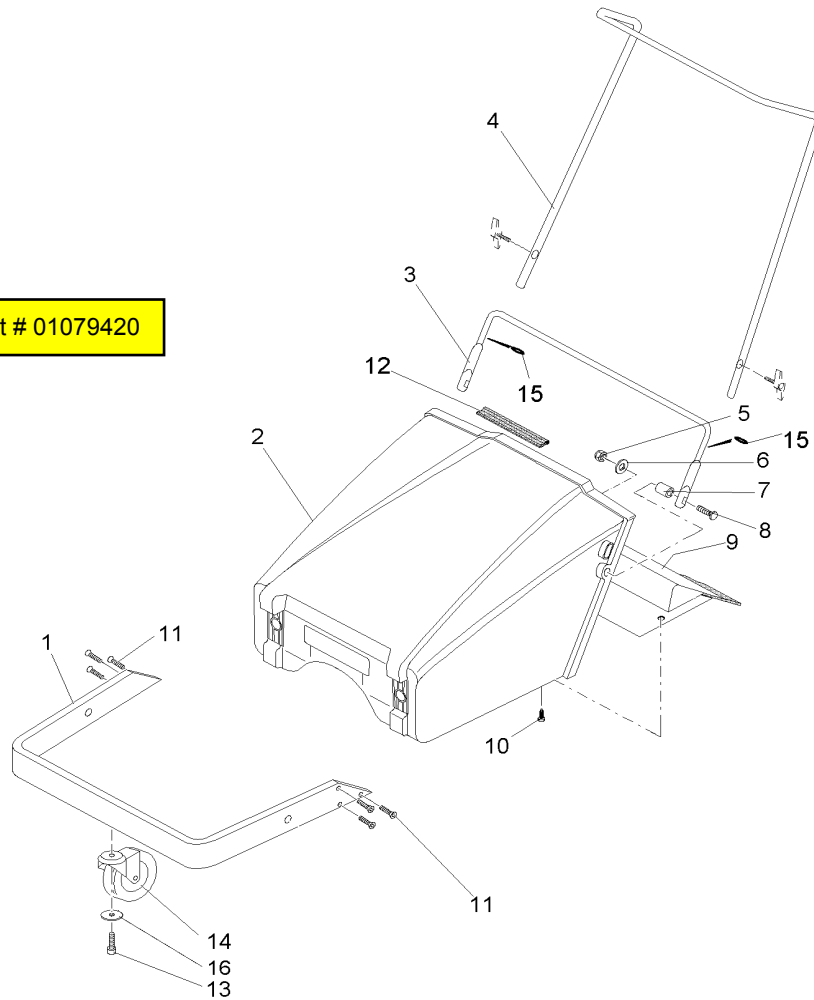
Model No. HM27M

width w/o side broom	mm (in)	720 (28.35)
width with side broom	mm (in)	790 (31.10)
height with handlebar, handlebar high position	mm (in)	1,060 (41.7)
height with handlebar, handlebar low position	mm (in)	900 (35.4)
height with folded handlebar	mm (in)	390 (15.35)
length with folded handlebar with side broom	mm (in)	1,030 (40.5)
length w/o side broom, handlebar high position	mm (in)	1,080 (42.5)
length w/o side broom, handlebar low position	mm (in)	1,260 (49.6)
length with side broom, handlebar high position	mm (in)	1,330 (52.4)
length with side broom, handlebar low position	mm (in)	1,510 (59.4)
weight (operating, incl. side broom)	kg (lbs)	25 (55)
drive wheels (dia./width)	mm (in)	280 x 40 (11.02 x 1.57)
swept width w/o side broom	mm (in)	480 (18.9)
swept width with side broom	mm (in)	670 (26.38)
broom roller dia.	mm (in)	250 (9.84)
broom roller width	mm (in)	480 (18.9)
min. dia. of roller broom	mm (in)	180 (7.09)
broom speed at 4 km/h (2.5 mph)	rpm	250
side broom (Polyester), dia.	mm (in)	325 (12.8)
side broom speed at 4 km/h (2.5 mph)	rpm	85
side broom drive (Vee belt)	mm	8 x 1765 ± 5
dirt hopper (40 litres capacity)	l	25–28 usable
surfacing rating (theoretic) at 4 km/h with side broom	m ² /h (ft ² /h)	2,680 (28,847)

Assembly Group	Description	Page
99620621BT10	Debris Box & Frame Assembly	1
99620621BT20	Brush Assembly	2
	Brush Assembly BOM	3
99620621BT30	Side Brush Assembly	4
99620621BT40	Machine Labels	5

Debris Box & Frame Assembly

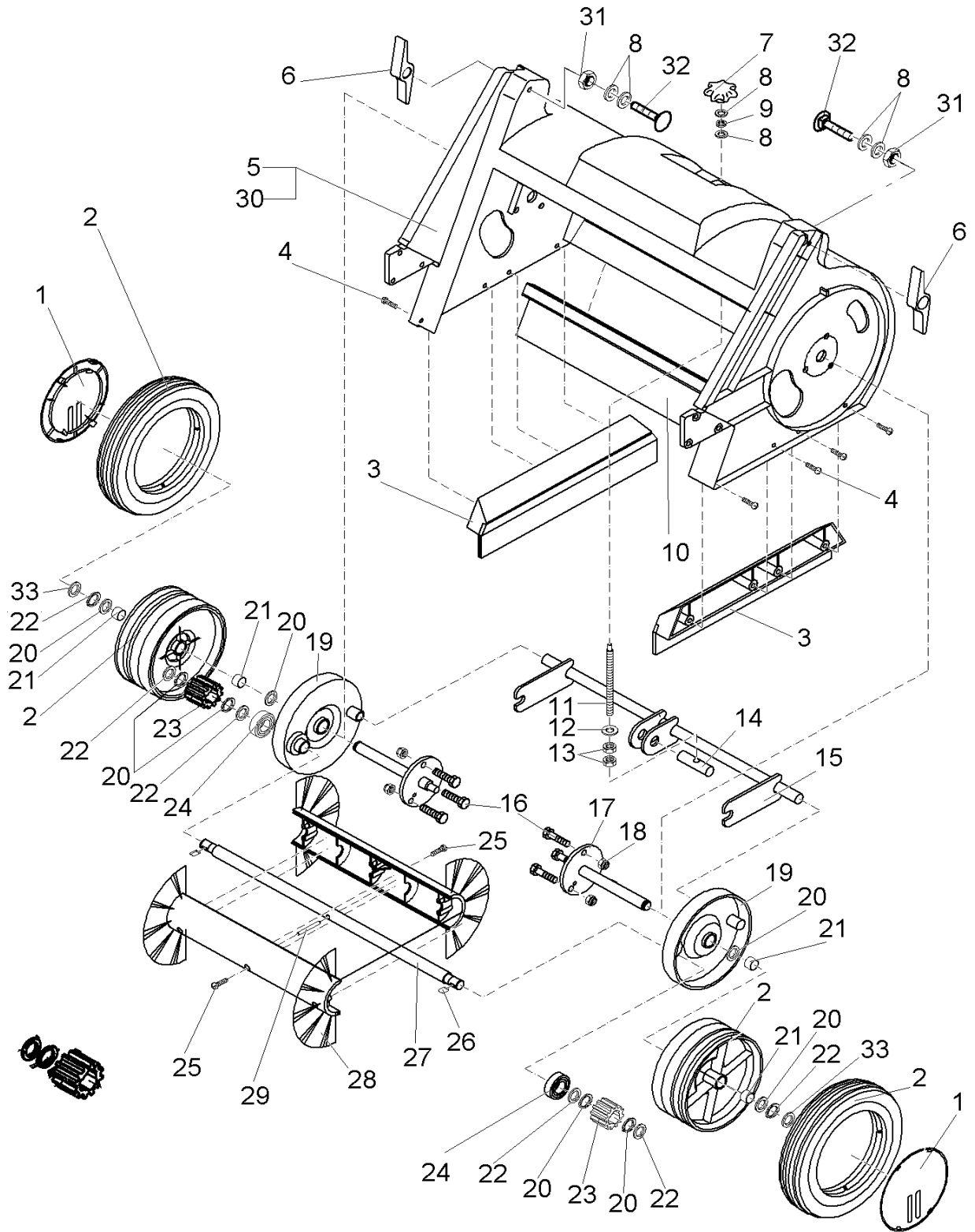
2 Hopper Part # 01079420



Bill of Material - 99620621BT10

Item	Spare part number Ref. No.	Mat No. Mat No.	Qty. Qté.	Description	Designation	Measurement Mesurage	DIN / ISO
1	00036270	96073580	1	Tube bow	Etrierdetube		
2	XXXXXXXX		1	no part-No.	aucun part-No.		
3	00670860	90304205	1	Handle	Étrier		
4	00036280	90332818	1	Capping piece	Traverse		
5	00051520	12040044	2	Hexagon nut	Hexagon nut	M6-6 A2G	DIN 985
6	00135120	12332011	2	Washer	Washer	6,4-140HV-St A3G	DIN 9021
7	00905570	90333303	2	Bushing	Douille		
8	00104930	11620036	2	Round head screw	Round head screw	M6x25-4.6 A2G	DIN 603
9	01059330	96090352	1	Sweeping strip	Liteau de balayures		
10	00155940	11405032	5	Tapping screw	Vis de tôle	ST4,8x13-C A2G	DIN 7981
11	01059300	11702081	6	Screw	Vis	M M6x16 A2G	DIN 7500
12	00563100	90332834	1	Rubber seal	Joint de caoutchouc		
13	00125430	11126158	1	Cylinder head screw	Vis de cylindre	M10x30-8.8 A3G	DIN 912
14	00800240	90135369	1	Steering roller	Poulie de guidage	GKR 01/80/25R-GPD	
15	00057720	15286149	2	O-ring oil resistant	Joint circulaire huile résistante	15x2.5 85	
16	00740290	12520061	1	Detent edged washer	Detent edged washer	SKM-10	

Brush Assembly



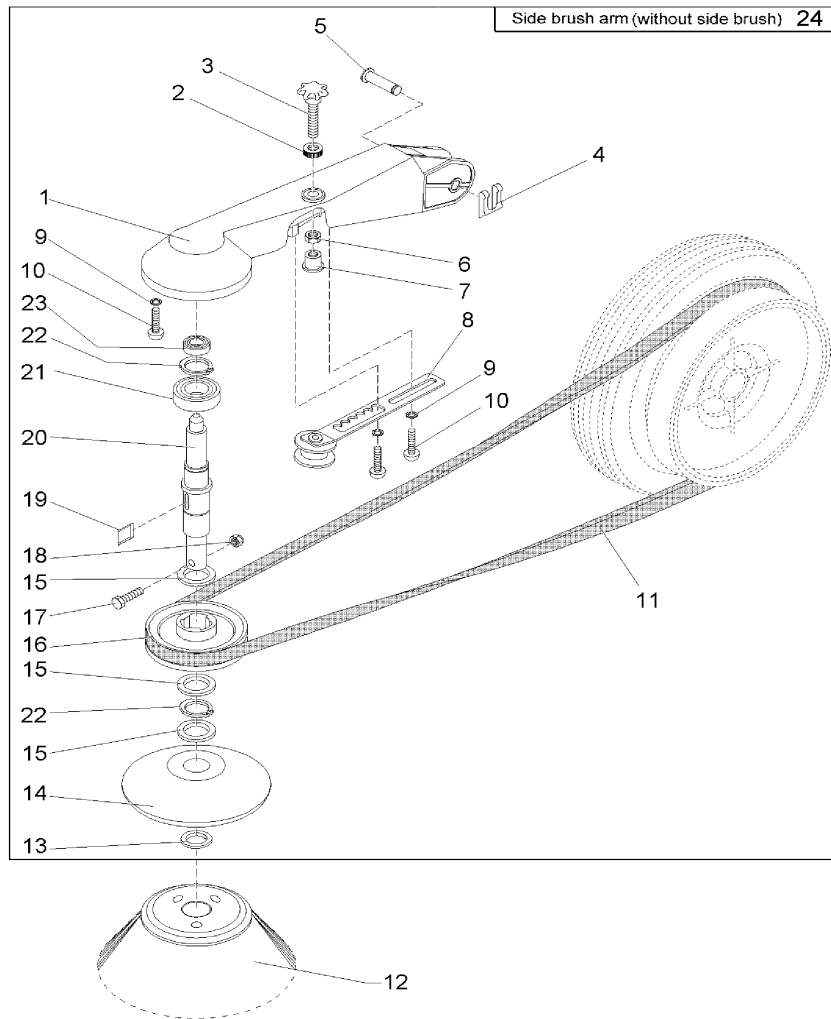
Brush Assembly BOM

Bill of Material - 99620621BT20

Item	Spare part number Ref. No.	Mat No. Mat No.	Qty. Qté.	Description	Designation	Measurement Mesurage	DIN / ISO
1	00670840	90509332	2	Hub cap grey	Capuchon de roue, gris		
2	00670110	97052443	2	Wheel, cpl.	Jante dentaire dentaire avec des pneus		
3	00670240	90304197	1	Seal strip	Corps de joint		
4	00905520	11709060	8	Screw	Vis	5x14	
5	XXXXXXXXXX		1	no part-No.	aucun part-No		
6	01059280	17133125	2	Wing nut, black	Écrou à ailettes, noir	M8 PA6 Rg	
7	00480430	17133018	1	Hand wheel	Roue à main	48/M8 SW-POL	
8	00053750	12310041	5	Washer	Washer	A8,4-140HV-St A2G	DIN 125
9	00046500	12012019	3	Hex. Nut	Écrou à 6 pans	BM8-04 A2G	DIN 439
10	00903060	90304288	1	Sealing section	Profil d'étanchéité		
11	00905550	90304320	1	Rod	Barre		
12	00042900	12332029	2	Washer	Washer	8,4-140HV-St A3G	DIN 9021
13	00053350	12022059	2	Hexagon nut	Hexagon nut	M8-8 A2G	DIN 934
14	00970380	90307174	1	Rod	Barre		
15	00671470	96067442	1	Shaft	Arbre		
16	00053010	11038072	6	Hex.bolt	Vis à 6 pans	M6x16-8.8 A2G	DIN 933
17	00562900	96073127	2	Wheel axle	Roueesieu		
18	00051520	12040044	6	Hexagon nut	Hexagon nut	M6-6 A2G	DIN 985
19	00670120	90302407	2	Broom rocker	Bras du balai à gauche		
20	00101760	12336210	8	Adjusting washer	Glace de passeport	16x22x0,5	DIN 988
21	00747240	90218389	4	Bushing	Douille		
22	00101450	12610077	6	Retaining ring	Circlip	16x1-phos.	DIN 471
23	00900420	90323684	2	Free-wheel pinion	Pignon libre		
24	00106300	14110258	2	Deep groove ball bearing	Roulement à billes rigides	6003-2RSH	DIN 625
25	00906070	11709094	6	Truss head screw	Vis de tête de lentille	5x30 A2G Polyfast	
26	00127050	90053083	1	Wedge	Clavette		
27	00321970	90331588	1	Shaft	Arbre		
28	XXXXXXXXXX		1	no part-No.	aucun part-No.		
29	00906080	13030325	1	Cylinder pin	Goupille de cylindre	6h8x50-St	ISO 2338
30	00420290	25740093	1	Gasket Tesamoll	Joint/Tesamoll	15X6Nr.763/A weiß	
31	00046500	12012019	3	Hex. Nut	Écrou à 6 pans	BM8-04 A2G	DIN 439
32	01059290	11620374	2	Screw	Vis	M8x60/40-4.6	DIN 603
33	00152530	12335022	2	Adjusting washer	Glace de passeport	16x22x1	DIN 988



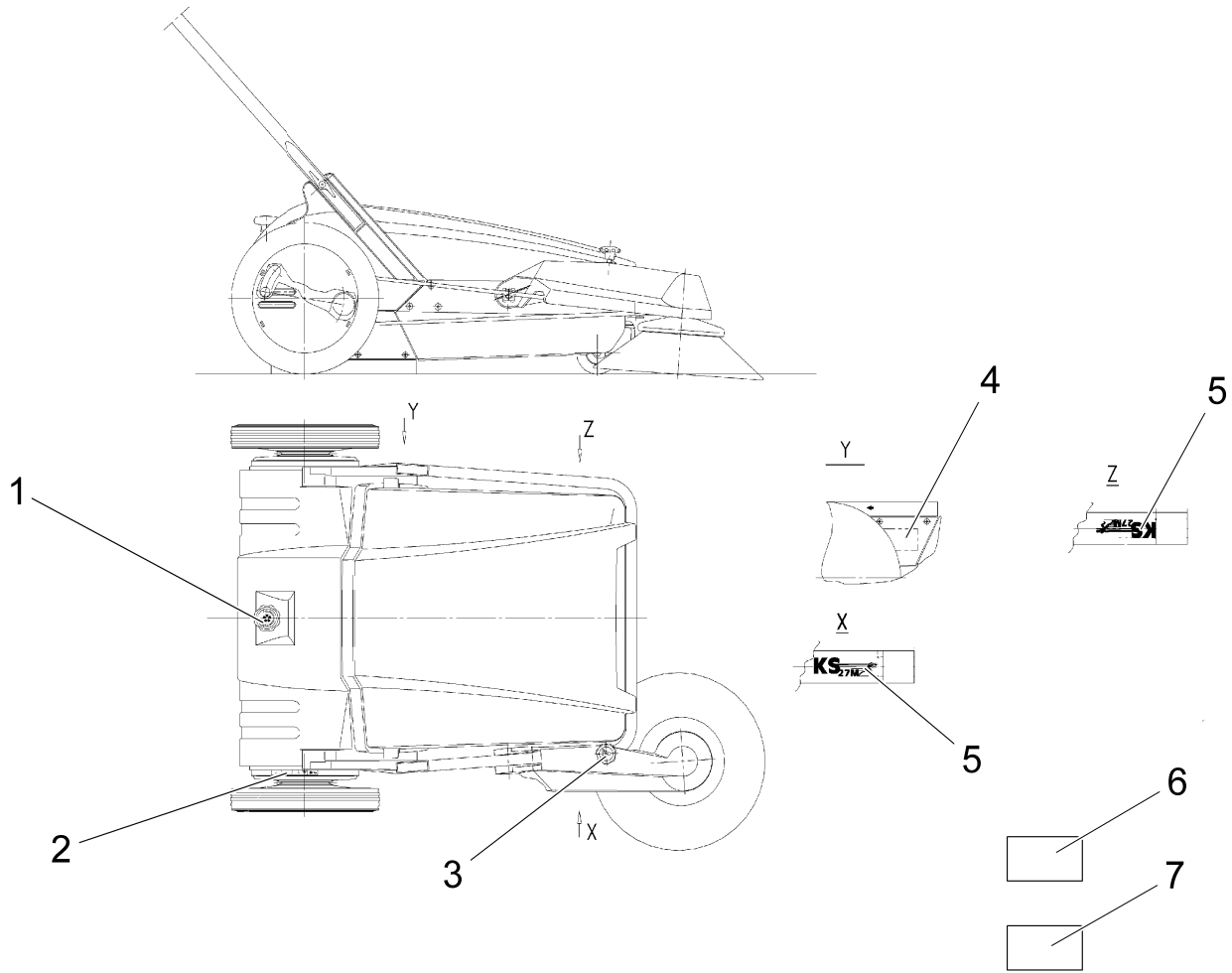
Side Brush Assembly



Bill of Material - 99620621BT30

Item	Spare part number Ref. No.	Mat No. Mat No.	Qty. Qté.	Description	Designation	Measurement Mesurage	DIN / ISO
1	00670360	90303801	1	Brush arm	Bras de brosse		
2	00906010	12156048	1	Knurled nut	Écrou a molet	F 1016-M8 PA6.6	
3	00906050	17133067	1	Star-handle bolt	Vis	M8x60 A2G	
4	00906030	12640090	1	Fuse	Fusible	12 mbo 08 galvanized	
5	00905600	90306218	1	Bolt	Boulon		
6	00053350	12022059	1	Hexagon nut	Hexagon nut	M8-8 A2G	DIN 934
7	00971450	15590508	1	gland			
8	00905580	96066899	1	Belt roll	Rôle de courroie		
9	00135120	12332011	3	Washer	Washer	6,4-140HV-St A3G	DIN 9021
10	00961600	11709029	3	Lens head screw	Vis à tête bombée	6x25PL45 A2G	
11	00562910	16414724	1	V-belt	Poulie en V	8x1765 +/-5 A7288	DIN 2215
12	00310200	90348749	1	Side brush	Balai latéral		
13	00906020	12336517	1	Adjusting washer	Glacé de passeport	14x20x0,5	DIN 988
14	00670890	90303819	1	Rejecting plate	Plaque de rejet		
15	00101760	12336210	3	Adjusting washer	Glacé de passeport	16x22x0,5	DIN 988
16	00903350	90303827	1	Belt pulley	Poulie de courroie		
17	00053040	11038122	1	Hex.bolt	Vis à 6 pans	M6x30-8.8 A2G	DIN 933
18	00051520	12040044	1	Hexagon nut	Hexagon nut	M6-6 A2G	DIN 985
19	00127050	90053083	1	Wedge	Clavette		
20	00876680	90347725	1	Shaft	Arbre		
21	00055730	14110431	1	Deep groove ball bearing	Roulement à billes rigides	6002-RSH	DIN 625
22	00022340	12610069	2	Retaining ring	Circlip	15x1-phos.	DIN 471
23	00906040	14110795	1	Deep groove ball bearing	Roulement à billes rigides	6000	DIN 625
24	00036300	97046676	1	Side brush arm (without brush)	Bras d'balai latéral (sans brosse)		

Machine Labels



Bill of Material - 99620621BT40

Item	Spare part number Ref. No.	Mat No. Mat No.	Qty. Qté.	Description	Designation	Measurement Mesurage	DIN / ISO
1	XXXXXXXX		1	no part-No.	aucun part-No.		
2	XXXXXXXX		1	no part-No.	aucun part-No.		
3	01130650	17248022	1	Decal	Autocollant		
4	01073530	17220013	1	Transparency	Feuille de responsable		
5	XXXXXXXX		2	no part-No.	aucun part-No.		
6	XXXXXXXX		4	no part-No.	aucun part-No.		
7	XXXXXXXX		1	no part-No.	aucun part-No.		

Minuteman International Made Simple Commercial Limited Warranty

Minuteman International, Inc. warrants to the original purchaser/user that the product is free from defects in workmanship and materials under normal use. Minuteman will, at its option, repair or replace without charge, parts that fail under normal use and service when operated and maintained in accordance with the applicable operation and instruction manuals. All warranty claims must be submitted through and approved by factory authorized repair stations.

This warranty does not apply to normal wear, or to items whose life is dependent on their use and care, such as belts, cords, switches, hoses, rubber parts, electrical motor components or adjustments. Parts not manufactured by Minuteman are covered by and subject to the warranties and/or guarantees of their manufacturers. Please contact Minuteman for procedures in warranty claims against these manufacturers.

Special warning to purchaser -- Use of replacement filters and/or prefilters not manufactured by Minuteman or its designated licensees, will void all warranties expressed or implied. A potential health hazard exists without original equipment replacement.

All warranted items become the sole property of Minuteman or its original manufacturer, whichever the case may be.

Minuteman disclaims any implied warranty, including the warranty of merchantability and the warranty of fitness for a particular purpose. Minuteman assumes no responsibility for any special, incidental or consequential damages.

This limited warranty is applicable only in the U.S.A. and Canada, and is extended only to the original user/purchaser of this product. Customers outside the U.S.A. and Canada should contact their local distributor for export warranty policies. Minuteman is not responsible for costs or repairs performed by persons other than those specifically authorized by Minuteman. This warranty does not apply to damage from transportation, alterations by unauthorized persons, misuse or abuse of the equipment, use of non-compatible chemicals, or damage to property, or loss of income due to malfunctions of the product.

If a difficulty develops with this machine, you should contact the dealer from whom it was purchased.

This warranty gives you specific legal rights, and you may have other rights which vary from state to state. Some states do not allow the exclusion or limitation of special, incidental or consequential damages, or limitations on how long an implied warranty lasts, so the above exclusions and limitations may not apply to you.

Cord Electric Group..... Three years parts, two years labor, ninety days travel (Not to exceed two hours)
Exceptions..... Port-A-Scrub, one year parts, six months labor
MPV 13, one year parts
MPV 14 and 18, two years parts, one year labor
RapidAir blower, one year parts, one year labor
Explosion-Proof Vacuum, one year parts, one year labor
Pneumatic Vacuums, three years parts, one year labor
EX 12 and EX12H, one year parts, one year labor

Battery Operated Group..... Three years parts, two years labor, ninety days travel
(Not to exceed two hours)
Exceptions..... Sweepers, one year parts, one year labor, ninety days travel
(Not to exceed two hours)

Internal Combustion Group....One year parts, one year labor, ninety day travel
(Not to exceed two hours)

Replacement Parts.....Ninety days
Batteries.....0-3 months replacement, 4-12 months pro-rate
Polypropylene Plastic Tanks...Ten years, no additional labor